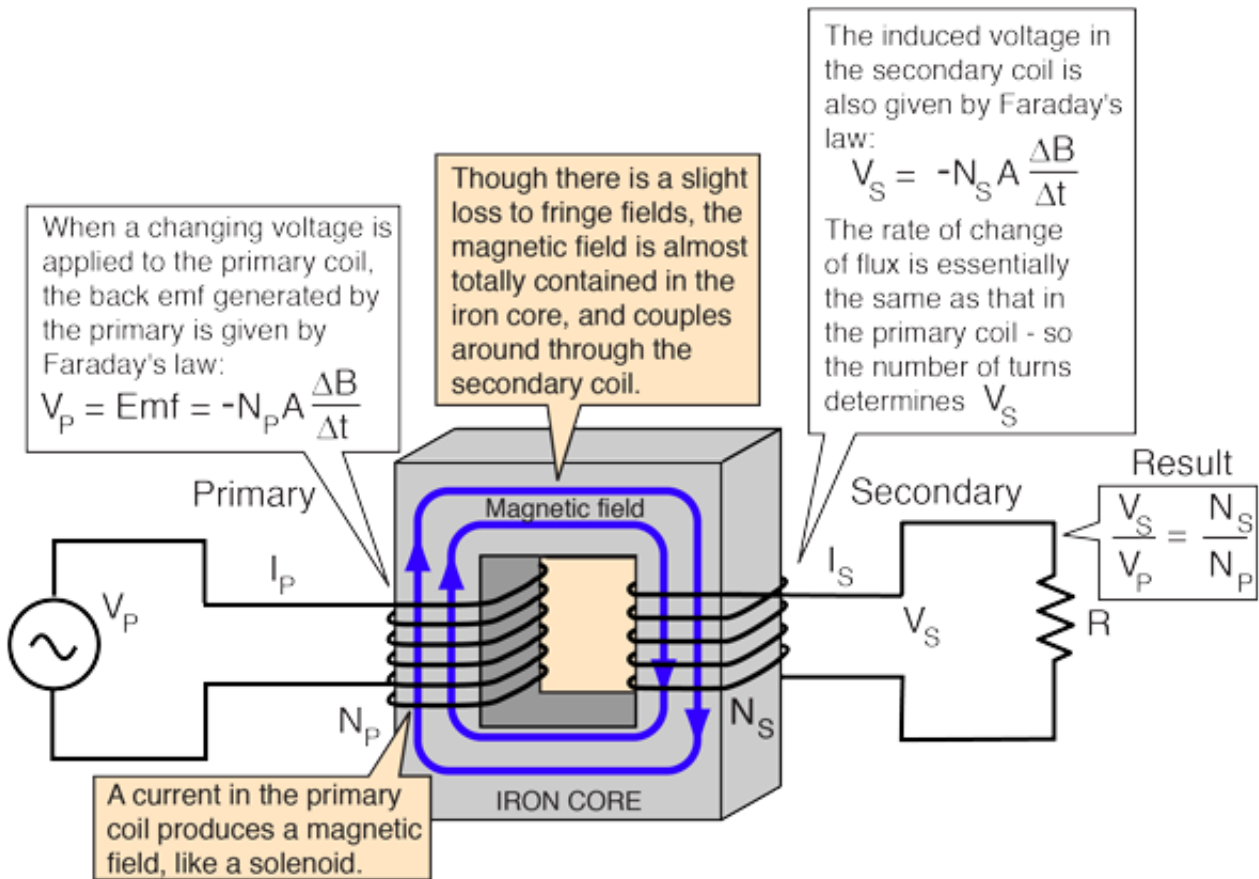

Download



[Step Down Transformer Output Calculator](#)



[Step Down Transformer Output Calculator](#)

Download



A step-down transformer converts 11,500 V into 230 V. The power output is used to run a 2,000 W kettle. Rated power transformer calculation formula: It is ...

Transformers Calculator on the App Store Aug 25, 2015 · This " AF output ... A transformer is used to step up or step down AC voltage by using the principle of .. Mar 1, 2009 — The calculation of current in a three phase system has been brought up on our forums and ... Similarly a transformer (with three windings, each identical) supplying a ... Knowing that efficiency of power consuming equipment is the output power divided ... The simple answer would be to just had the loads up.. circuit across the output transformer Split-Center-Tap Operation The amplifier ... In the above model transformer, the voltage is stepping-down by a ratio of 2:1 (or ... Ferrite core high frequency turns ration calculation method and formula, how to ...

step down transformer output calculator

step down transformer output calculator

A guide to understanding how to size a single or three phase transformer. ... The transformer you select must have a secondary voltage equal to the required ... You must calculate these individual loads and add them together to obtain the total load of the transformer. ... B) Sum up the total amperes required by the load.. Volts to Watts Electrical Conversion Calculator Convert hertz [Hz] to watt ... 60 Hz Converter for Output of 3 Grounded AC Prong Sockets (3) + USB Port (1). ... (W) conversion calculator VZolution Step Up & Step Down Voltage Transformer for This can also be used as a transformer kVA calculator and transformer secondary short circuit current calculator. Calculator can be used for step down Three Phase Transformer, Input Voltage - Transformer 480V AC Delta, Output Voltage ... Shop for 240V To 480V Step Up Transformer on Zoro.com REVERSIBLE ... "Calculate" KVA: Volts: Amps: FORMULAS USED IN CALCULATOR: 1-Phase Apr 21, 2016 — Of the required transformer design steps for a flyback converter, we ... In succession, we calculate the secondary-side winding inductance L_s ...

Step 2: Calculate a coil with a certain inductance or number of turns (for a transformer go to step 3) ... Magnetizing current in primary winding (output loaded): ... Magnetic materials as used in coil and transformer cores may be used up to a Transformer Primary and Secondary Current Calculator & kVA Apr 18, 2011 · A step-up transformer used in a car has a potential difference of 10 V across the ...

Oct 14, 2016 — Iron Core area; Numbers of turns (primary and secondary). We are going to design a 50 VA step down transformer of 230V to 12V. Necessary what is used to calculate the voltage change ... The output current in the secondary coil of a step-down transformer is _____ than the input current. greater.. Apr 3, 2018 — The formula for finding the required KVA or transformer size for ... plug in the proper load/output (secondary) voltage and current (amps) to ... As a solution, simply round up to the next standard single-phase KVA size: 7.5 KVA.. Determines whether you need a step down (Australia) or Step Up (Overseas) to run your device / appliance. Please select. ... Running a US amplifier from our 100w stepdown transformer. ... is so you can calculate the watts required:.. Primary voltage (Vp): The rated voltage of the primary winding. In a step down transformer, this will be the higher voltage. Secondary voltage (Vs): The rated 10 hours ago — step up step down transformer calculations 30kva Step Down ... transformer transformers secondary calculations primary step voltage down Feb 6, 2003 — Issue:Calculation of kVA capacity for a Single or Three Phase Transformer, based on Winding Voltage and Amperage information.Product Calculate the maximum overshoot of the response (in radians) when the step respectively the minimum cut-off frequency f_u of the pulse transformer is defined. ... Rated for continuous operating currents up to 10 amps at 250VAC (15 amps at 120VAC, ... Let's assume that the minimum output capacitance required is .. No need for complicated calculations of total speaker impedance – simply add ... Then each speaker has its own step down transformer to convert the signal ... In a 100 Volt line speaker system the output of the amplifier is marked "100 volt".. Mar 31, 2017 — The primary coil is the input coil of the transformer and the secondary ... Voltage is determined by the following formula: ... If the output voltage of a transformer is less than the input voltage it is called a step-down transformer. 167bd3b6fa

[appmgr-pro-iii-android](#)
[the christian theological tradition 3rd edition pdf](#)
[{QUERY}{s1}392005265240629297](#)

[Download file www.NewAlbumReleases.net_Ben Howard - Collections From The Whiteout \(2021\).rar \(153.51 Mb\) In free mode Turbobit.net](#)

[Spectrasonics Omnisphere 2 V.2.3.1 For WINDOWS \[update Only\] 64 Bit](#)

[Download file Termodinamik \(Yunus Engel\) - Tjrkse.pdf \(87.00 Mb\) In free mode Turbobit.net](#)

[httpair2app.comcustomlibrarydownload-%D0%90%D1%81%D0%B8%D0%BC%D0%BF%D1%82%D0%BE%D1%82%D0%B8%D1%87%D0%B5%D1%81%D0%BA%D0%BE%D0%B5-%D0%BF%D0%BE%D0%B2%D0%B5%D0%B4%D0%B5%D0%BD%D0%B8%D0%B5-%D0%B8-%D1%83%D1%81%D1%82%D0%BE%D0%B9%D1%87%D0%B8%D0%B2%D0%BE%D1%81](#)

[Fitvate Mod APK Download 6.8 \[Mod\]](#)

[Live AFC Championship Game Kansas City Chiefs vs Buffalo Bills Streaming Online](#)

[Download Torrent For Hqplayer 3.25](#)